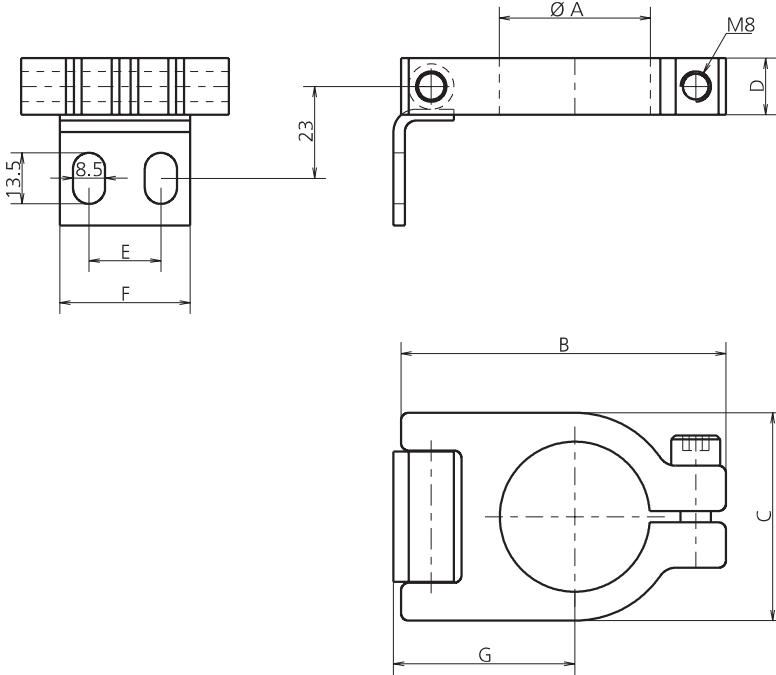




0403 - CERNIERA

HINGE FOR SUPPORT / ZUBEHÖR-SCHARNIER / CHARNIÈRE

PATENT PENDING



MODEL	$\varnothing A$	B	C	D	E	F	G
0403.0040	39.8	86	55	15	19	34.5	48
0403.0050	49.8	97	70	15	25	44.5	56
0403.0063	62.8	106	80	15	30	49.5	59.5
0403.0080	79.8	140	105	15	40	69.5	73
0403.0100	99.8	156	125	15	50	79.5	81.5
0403.0125	124.8	183	150	15	70	99.5	94.5



MODELLO D'ORDINE / ORDER EXAMPLE / BESTELLBEISPIEL / MODÈLE DE COMMANDE

MODEL **0403** DIAMETER **0040**